

來自德國的工藝深得信賴 **EMKA Beschlagteile (Fittings)**

機櫃 箱櫃 五金扣件系列：箱扣 搭扣 鎖具 鉸鍊 氣密膠條 保護膠條

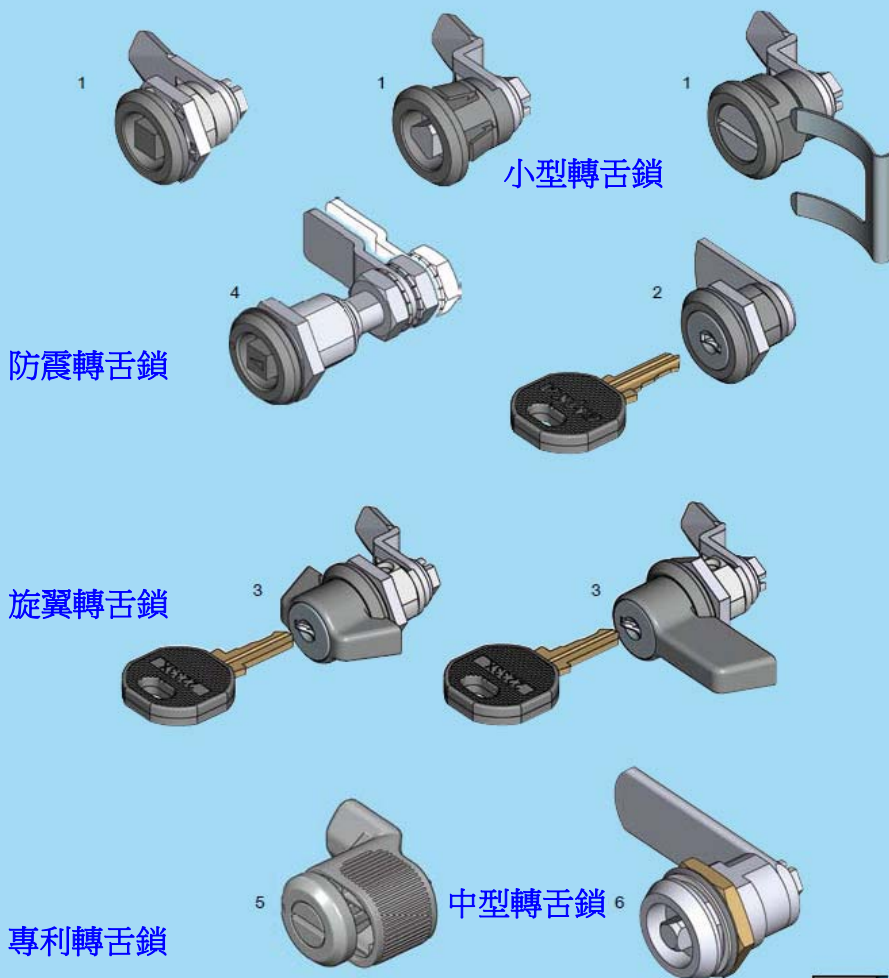
EMKA Quarter turns small and medium version Program 1012 1022

[www.emka.com](http://www.emka.com) 原版目錄 (第 019 頁) 1A-100 到(第 027 頁) 1A-420

轉舌鎖 系列

## Quarter turns 1/4 轉轉舌鎖 small and medium version, Program 1012, 1022

小型 中型 系列



- |                              |        |
|------------------------------|--------|
| 1 Quarter turns with insert  | 1A-120 |
| 2 Quarter turn with cylinder | 1A-160 |
| 3 Wing knob                  | 1A-140 |
| 4 Compression latch          | 1A-220 |
| 5 Quick fastener             | 1A-320 |
| 6 Quarter turns with insert  | 1A-420 |



**1A-100**

E-mail: [tim@joetek.com.tw](mailto:tim@joetek.com.tw) 手機:0910-155-637

來自德國的工藝深得信賴 **EMKA Beslagteile (Fittings)**

機櫃 箱櫃 五金扣件系列：箱扣 搭扣 鎖具 鉸鍊 氣密膠條 保護膠條

EMKA Quarter turns standard version Program 1000

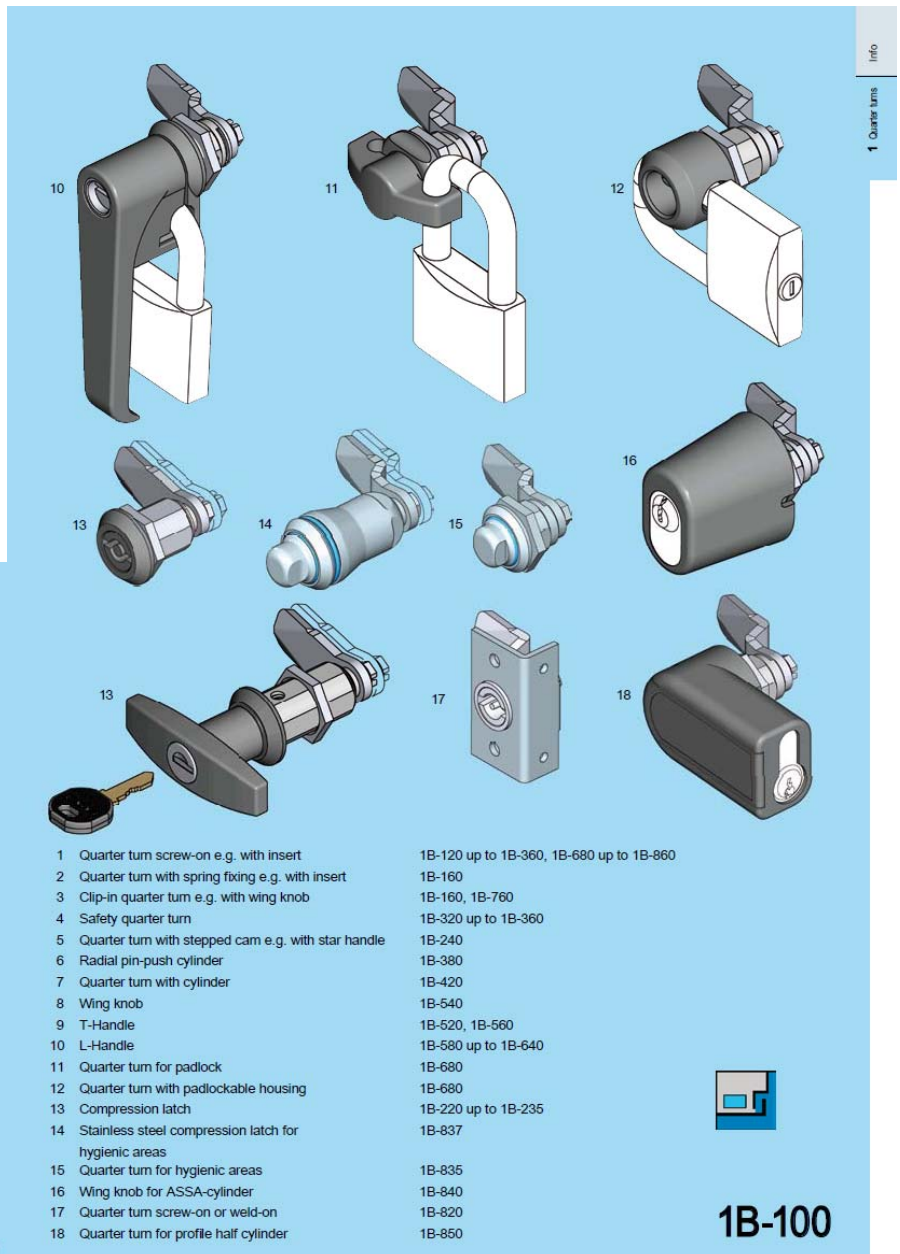
[www.emka.com](http://www.emka.com) 原版目錄 (第 029 頁) 1B-100 到(第 079 頁) 1-860

標準型轉舌鎖 系列

# Quarter turns standard version, Program 1000

1/4 轉 轉舌鎖

標準型 系列



1 Quarter turn screw-on e.g. with insert  
 2 Quarter turn with spring fixing e.g. with insert  
 3 Clip-in quarter turn e.g. with wing knob  
 4 Safety quarter turn  
 5 Quarter turn with stepped cam e.g. with star handle  
 6 Radial pin-push cylinder  
 7 Quarter turn with cylinder  
 8 Wing knob  
 9 T-Handle  
 10 L-Handle  
 11 Quarter turn for padlock  
 12 Quarter turn with padlockable housing  
 13 Compression latch  
 14 Stainless steel compression latch for hygienic areas  
 15 Quarter turn for hygienic areas  
 16 Wing knob for ASSA-cylinder  
 17 Quarter turn screw-on or weld-on  
 18 Quarter turn for profile half cylinder

1B-120 up to 1B-360, 1B-680 up to 1B-860  
 1B-160  
 1B-160, 1B-760  
 1B-320 up to 1B-360  
 1B-240  
 1B-380  
 1B-420  
 1B-540  
 1B-520, 1B-560  
 1B-580 up to 1B-640  
 1B-680  
 1B-680  
 1B-220 up to 1B-235  
 1B-837  
 1B-835  
 1B-840  
 1B-820  
 1B-850

**1B-100**



來自德國的工藝深得信賴 **EMKA Beschlagteile (Fittings)**

機櫃 箱櫃 五金扣件系列：箱扣 搭扣 鎖具 鉸鍊 氣密膠條 保護膠條

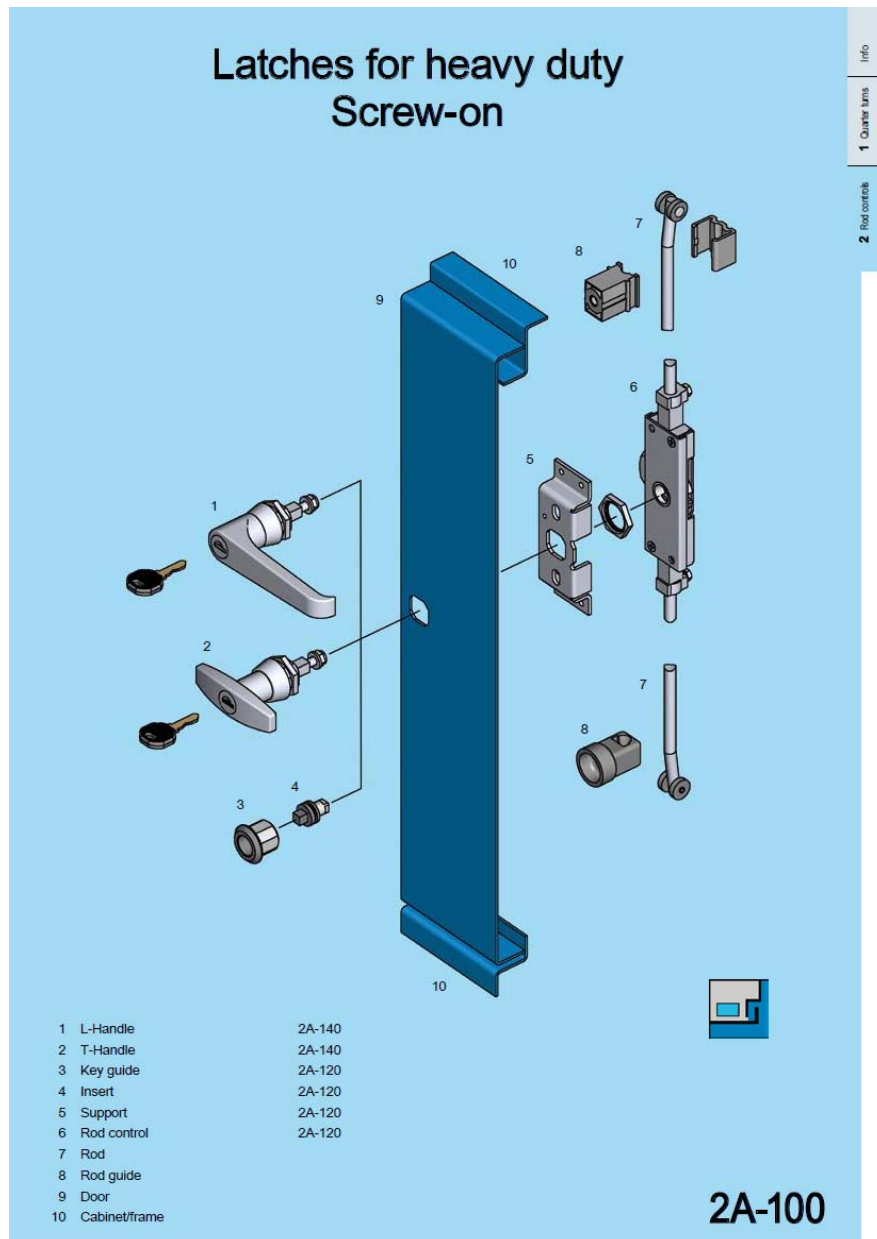
## 螺絲固定式重型鎖具

EMKA Latches for heavy duty Program Screw-on

[www.emka.com](http://www.emka.com) 原版目錄(第 109 頁) 2A-100 到(第 113 頁) 2A-180

## 3 point latches and inserts

### 嵌入式 3 點鎖





來自德國的工藝深得信賴 **EMKA Beschlagteile (Fittings)**

機櫃 箱櫃 五金扣件系列：箱扣 搭扣 鎖具 鉸鍊 氣密膠條 保護膠條

## 焊接固定式重型鎖具

EMKA Latches for heavy duty Program weld-on

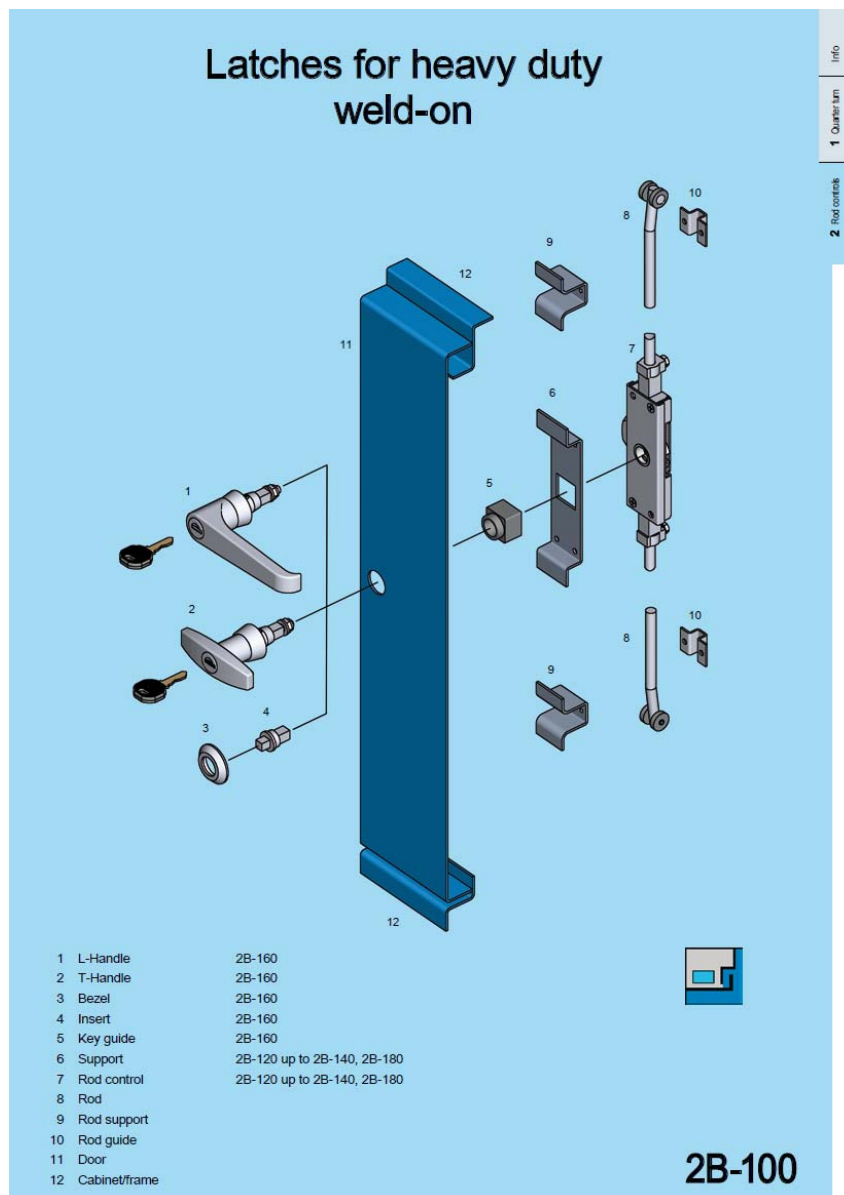
[www.emka.com](http://www.emka.com) 原版目錄 (第 115 頁) 2B-100 到(第 113 頁) 2B-320

One / Two point latch and hooked latch

一/二點鎖和鉤鎖

3 point latch for profile cylinder

3 點鎖的鎖芯







來自德國的工藝深得信賴 **EMKA Beschlagteile (Fittings)**

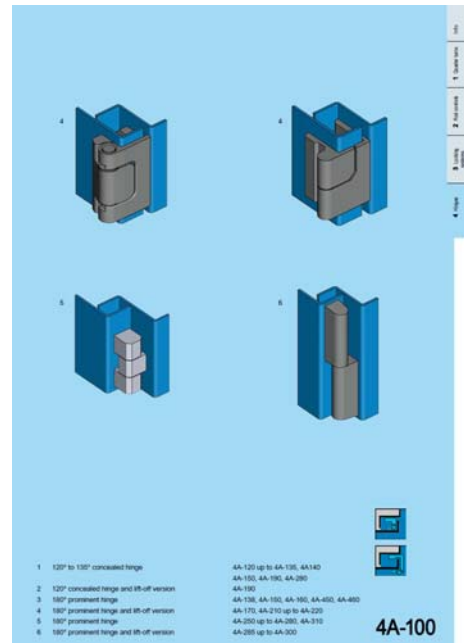
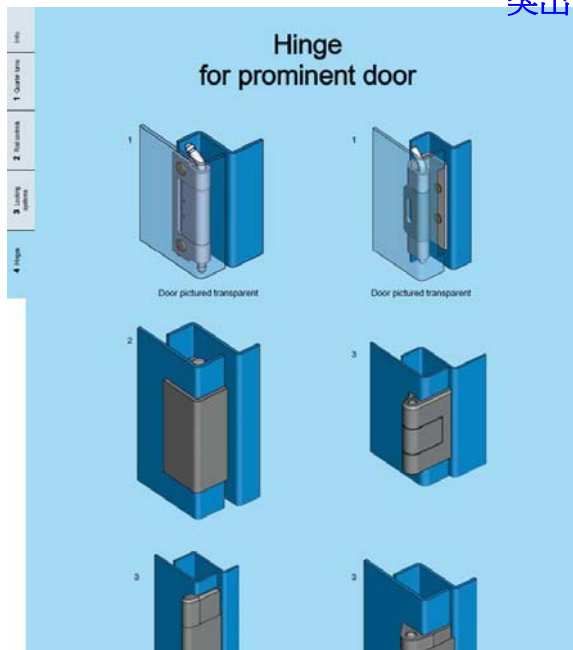
機櫃 箱櫃 五金扣件系列：箱扣 搭扣 鎖具 鉸鍊 氣密膠條 保護膠條

**EMKA Hinge for prominent door Program 1069**

**1032 1110 1031 1055 1039 1054 1105 1056 1079 1036 1033**

**www.emka.com 原版目錄 (第 344 頁) 4A-120 到(第 373 頁) 4A-480**

突出門用的鉸鏈

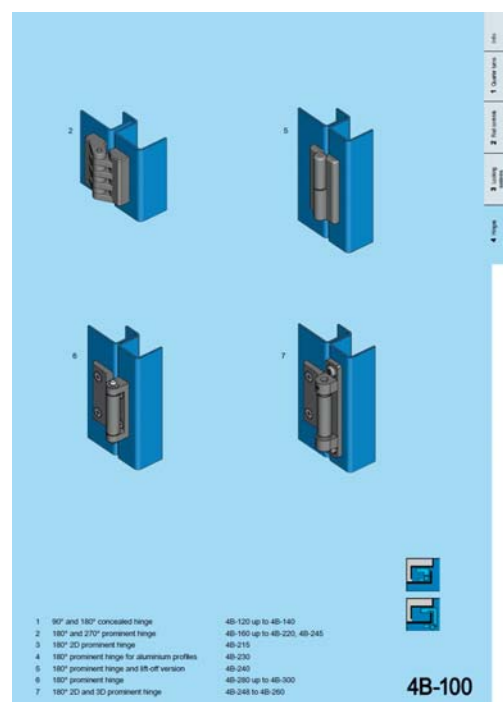
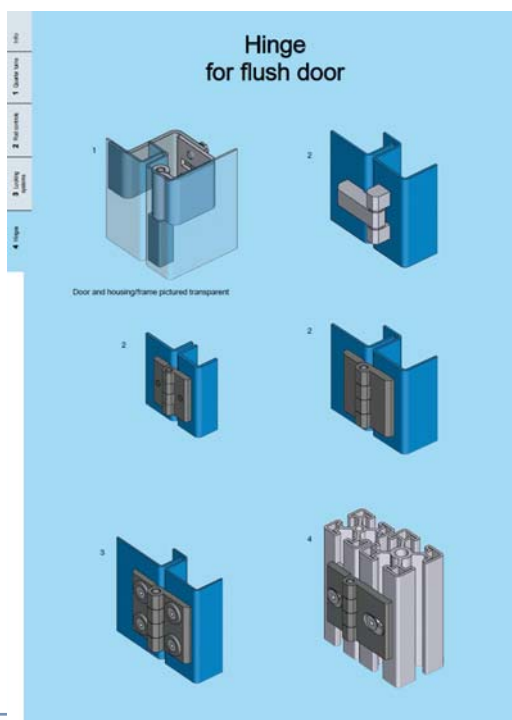


**EMKA Hinge for flush door Program 1006**

**1007 1046 1042 1043 1039 1055 1056 6020 1054 1091**

**原版目錄 (第 376 頁) 4B-120 到(第 408 頁) 4B-320**

平齊門用的鉸鏈





來自德國的工藝深得信賴 **EMKA Beschlagteile (Fittings)**

機櫃 箱櫃 五金扣件系列：箱扣 搭扣 鎖具 鉸鍊 氣密膠條 保護膠條

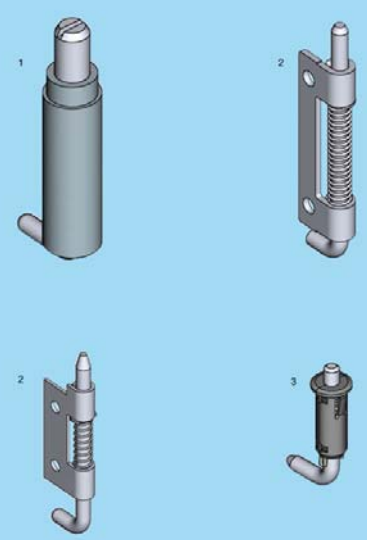
**EMKA Pin Hinge Program 1117**

**90° counterbalancing spring loaded hinge Program 1715**

[www.emka.com](http://www.emka.com) 原版目錄 (第 410 頁) 4C-120 到(第 413 頁) 4D-120

鉸鏈銷 90°彈簧平衡鉸鏈

### Pin hinge Program 1117



1 Weld-on pin hinge 4C-120

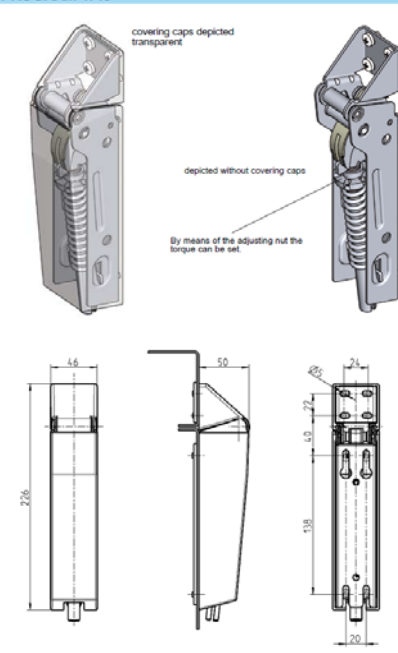
2 Pin hinge can be screwed on and riveted on 4C-120

3 Clip-in pin hinge 4C-130

**4C-100**

1D  
 1 3D view  
 2 Ref. marks  
 3 Locking systems  
 4 Hinge

### 90° counterbalancing spring loaded hinge PROGRAM 1715



covering caps depicted transparent

depicted without covering caps

By means of the adjusting nut the torque can be set.

Application area:  
The spring loaded hinge can be used e.g. for freezers.  
The covering caps can be put on after mounting the hinges.

<sup>1)</sup>Lid weight with homogeneous distribution of weight

Spring loaded hinge m.s. zinc plated, knuckle polyamide, covering caps polystyrene white, with one or two springs	
for a lid weight in the range of 6 kg with 2 hinges	1715-LI331
for a lid weight in the range of 17 kg with 2 hinges	1715-LI332
for a lid weight in the range of 23 kg with 2 hinges	1715-LI333

© EMKA Beschlagteile GmbH & Co. KG 2014

1D  
 1 3D view  
 2 Ref. marks  
 3 Locking systems  
 4 Hinge

來自德國的工藝深得信賴 **EMKA Beschlagteile (Fittings)**

機櫃 箱櫃 五金扣件系列：箱扣 搭扣 鎖具 鉸鍊 氣密膠條 保護膠條

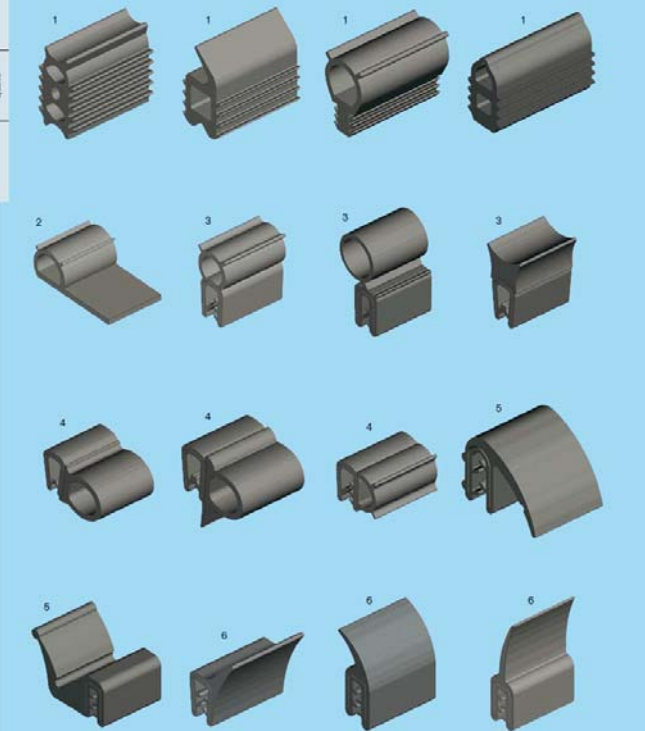
**EMKA Gasket, edge protection and window rubber profile Program 1003**

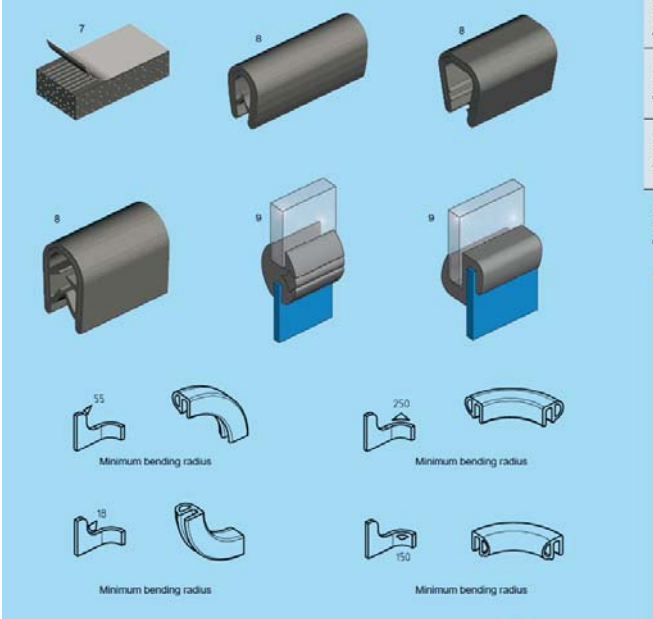
**1038 1101 1011 1016 1010 1030 1074 VDI6022 EMC**

**www.emka.com 原版目錄 (第 416 頁) 5A-120 到(第 437 頁) 5D-120**

氣密膠條 保護膠條

**Gasket, edge protection and window rubber profile**





7  
8  
9

35  
18  
250  
150

Minimum bending radius

Minimum bending radius

Minimum bending radius

Minimum bending radius

1 Gasketing secured in a U-section  
2 Gasketing  
3 Self-gripping gasketing  
4 Self-gripping gasketing  
5 Self-gripping gasketing  
6 Self-gripping gasketing  
7 Cell sponge rubber, with stretch eliminating self-adhesive backing  
8 Edge-protection  
9 Clamping profile and window rubber profile

5A-120 up to 5A-160  
5A-140, 5A-160  
5A-220, 5A-240  
5A-240 up to 5A-300  
5A-300, 5A-320  
5A-320 up to 5A-360  
5A-440

5A-520 up to 5A-560  
5A-620, 5A-640

compression

**5A-100**

技術服務 詢價

請洽台灣業務代表：Tim Chang

E-mail: [tim@joetek.com.tw](mailto:tim@joetek.com.tw) 手機:0910-155-637

TEL: 02-2771-8615 FAX: 02-2721-2110

[www.joetek.com.tw](http://www.joetek.com.tw)

來自德國的工藝深得信賴 **EMKA Beschlagteile (Fittings)**

機櫃 箱櫃 五金扣件系列：箱扣 搭扣 鎖具 鉸鍊 氣密膠條 保護膠條

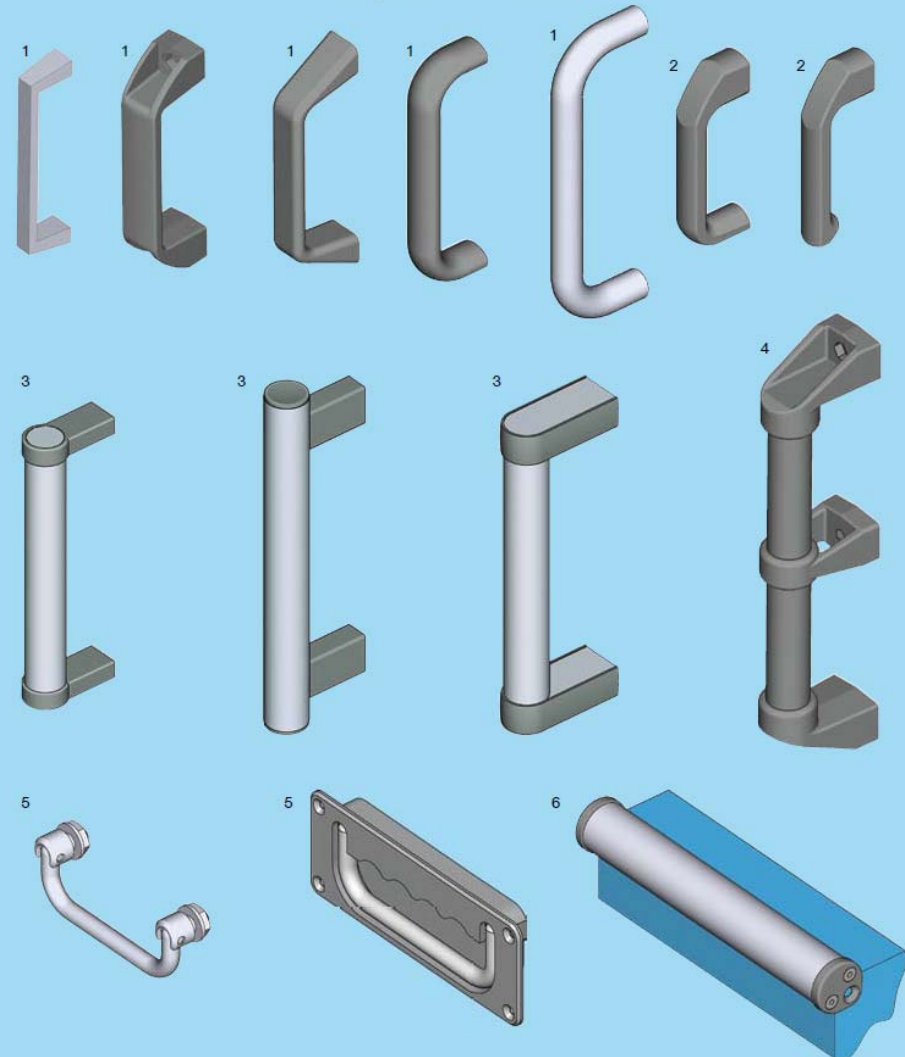
**EMKA Handle Program 1095**

**1045 6040**

[www.emka.com](http://www.emka.com) 原版目錄 (第 439 頁) 6A-100 到(第 459 頁) 6B-340

把手

## Handle Program 1095



Info

1 Quarter turns

2 Rod controls

3 Locking systems

4 Hinges

5 Caseworking

6 Handles

<p>1 Bow-type handles in different sizes</p> <p>2 Handle</p> <p>3 Tube handle with variable length</p> <p>4 Handle with variable or fixed length</p> <p>5 Chest handle with variable length</p> <p>6 Edge handle with variable length</p>	<p>6A-120 up to 6A-180</p> <p>6A-440</p> <p>6A-320 up to 6A-360</p> <p>6A-220, 6A-240</p> <p>6A-420</p> <p>6A-420</p>
---	---

6A-100

來自德國的工藝深得信賴 **EMKA** Beslagteile (Fittings)

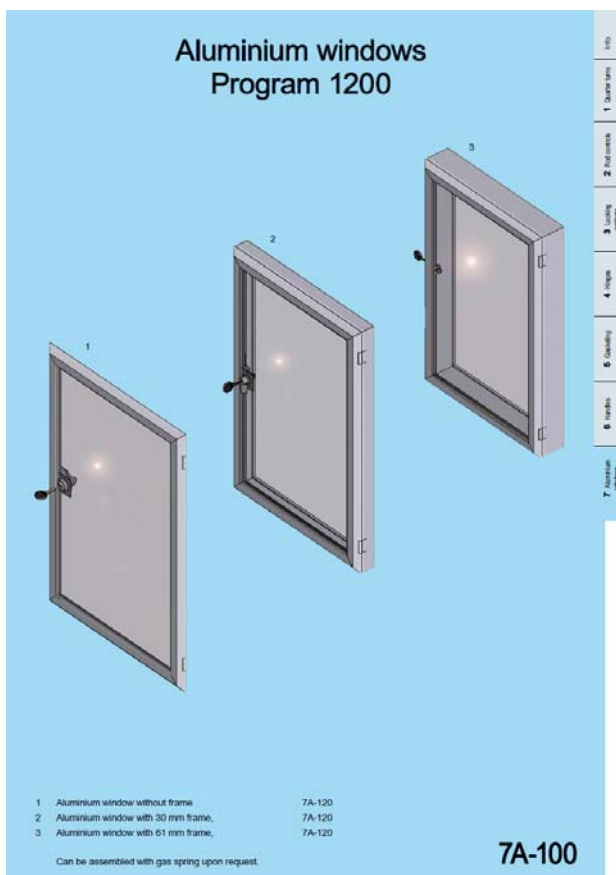
機櫃 箱櫃 五金扣件系列：箱扣 搭扣 鎖具 鉸鍊 氣密膠條 保護膠條

**EMKA Aluminium windows Program 1200**

**Aluminium doors Program 1300**

[www.emka.com](http://www.emka.com) 原版目錄(第 461 頁) 7A-100 到(第 471 頁) 7C-100

鋁窗 鋁門



德國愛姆卡五金扣件公司

[www.emka.com](http://www.emka.com)

翌升企業有限公司

台北市八德路二段 174 巷 9 弄 7 號 4F 10491

TEL: 02-2771-8615 FAX: 02-2721-2110 Mobile: 0910-155-637

E-Mail: [tim@joetek.com.tw](mailto:tim@joetek.com.tw) [www.joetek.com.tw](http://www.joetek.com.tw)



來自德國的工藝深得信賴 **EMKA Beschlagteile (Fittings)**

機櫃 箱櫃 五金扣件系列：箱扣 搭扣 鎖具 鉸鍊 氣密膠條 保護膠條


**EMKA Stainless steel locks Program 1022**

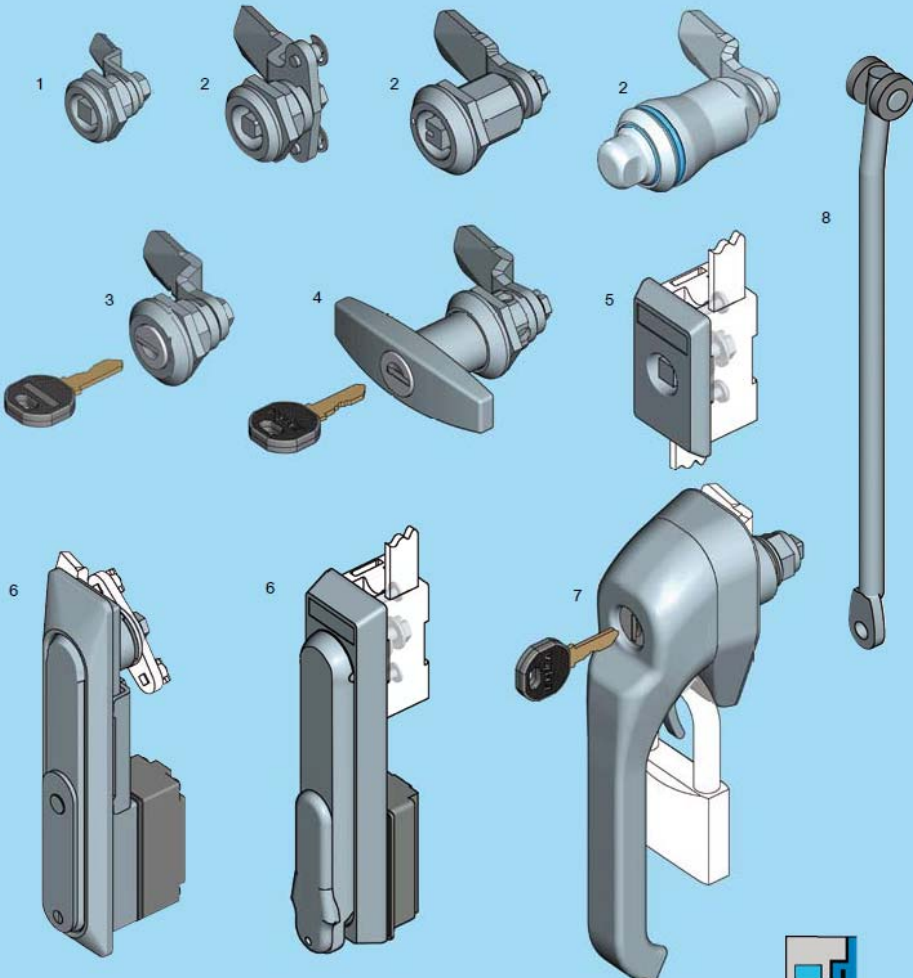
**1000 1098 1125 1150 1091**

**www.emka.com 原版目錄 (第 473 頁) 8A-100 到(第 509 頁) 8B-840**

不銹鋼鎖具

## Stainless steel locks





Info

1 Quarter turns

2 Rod controls

3 Locking systems

4 Hinges

5 Gasketing

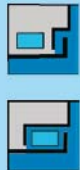
6 Handles

7 Aluminium windows

8 Stainless steel

1 Quarter turn small	Program 1022	8A-120
2 Quarter turns	Program 1000	8A-220 to 8A-244, 8A-285, 8A-290
3 Quarter turn with cylinder	Program 1000	8A-250
4 Handle	Program 1000	8A-260 to 8A-276
5 Escutcheon	Program 1000	8A-510, 8A-520
6 Swinghandle	Program 1125, 1150	8A-620 to 8A-680
7 Heavy duty latch	Program 1091	8A-840
8 Rod	Program 1000	8A-360

further articles such as cam, bearing bush, rod control, rod guide



# 8A-100

來自德國的工藝深得信賴 **EMKA Beschlagteile (Fittings)**

機櫃 箱櫃 五金扣件系列：箱扣 搭扣 鎖具 鉸鍊 氣密膠條 保護膠條

EMKA Stainless steel hinges Program 1039

1055 1032 1069 1131 1079 1033 1110 1056 1054 1117

[www.emka.com](http://www.emka.com) 原版目錄 (第 511 頁) 8B-100 到(第 532 頁) 8B-520

不銹鋼鉸鍊

## Stainless steel hinges

1

1

1

2

2

2

Door and housing/frame pictured transparent

3

3

1 Hinge for prominent door

2 Hinge for flush door

3 Pin hinge

8B-120 to 8B-180, 8B-400

8B-320 to 8B-400

8B-520

# 8B-100

Info

1 Quarter turns

2 Rod controls

3 Locking systems

4 Hinges

5 Gasketing

6 Handles

7 Aluminium windows

8 Stainless steel

來自德國的工藝深得信賴 **EMKA Beschlagteile (Fittings)**

機櫃 箱櫃 五金扣件系列：箱扣 搭扣 鎖具 鉸鍊 氣密膠條 保護膠條


**EMKA Stainless steel Program Miscellaneous**

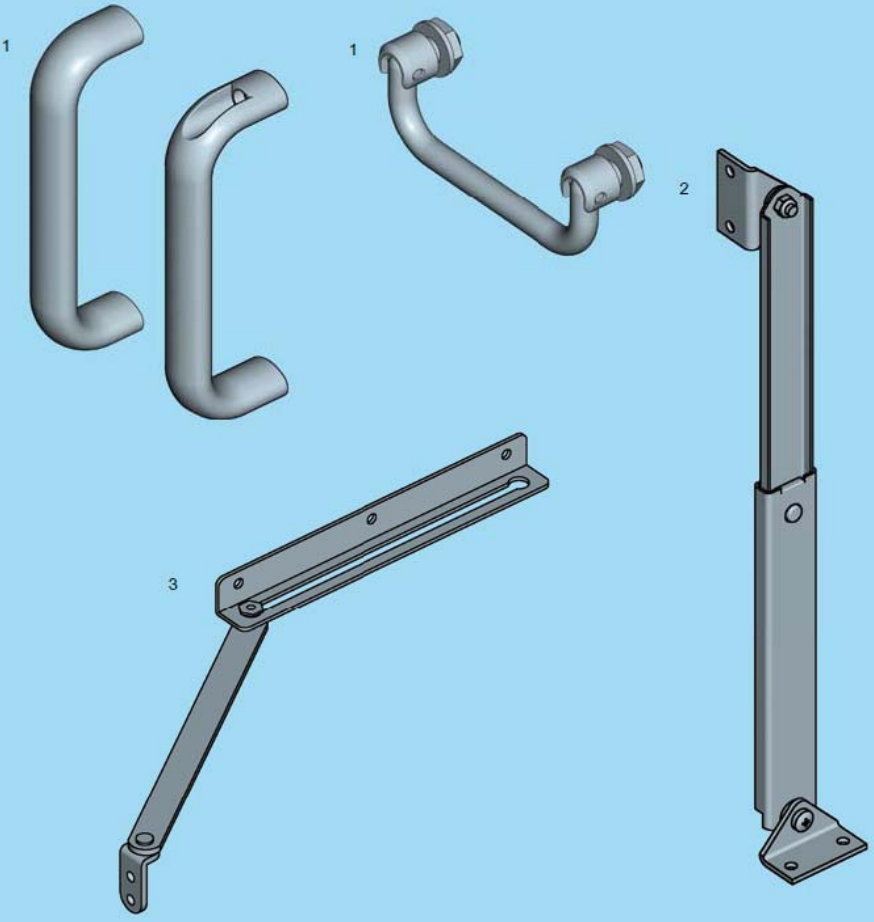
**1095 1097 1087**

[www.emka.com](http://www.emka.com) 原版目錄 (第 533 頁) 8C-100 到(第 536 頁) 8C-540

不銹鋼雜項

## Stainless steel program Miscellaneous





- Info
- 1 Quarter turns
- 2 Rod controls
- 3 Locking systems
- 4 Hinges
- 5 Gaslifting
- 6 Handles
- 7 Aluminium windows
- 8 Stainless steel

1 Handles	8C-320	<b>8C-100</b>
2 Telescopic cover stay	8C-520	
3 Door stop	8C-540	

來自德國的工藝深得信賴 **EMKA** Beschlagteile (Fittings)

機櫃 箱櫃 五金扣件系列: 箱扣 搭扣 鎖具 鉸鍊 氣密膠條 保護膠條

EMKA Toggle latch and hook Program 6000

[www.emka.com](http://www.emka.com) 原版目錄 (第 537 頁) 9A-100 到 (第 559 頁) 9A-680

搭扣、箱扣 系列



線環搭扣

剛性線環搭扣

彈簧搭扣

專用搭扣

可調搭扣

扣板

- 1 Wire toggle latch
- 2 Rigid wire toggle latch
- 3 Spring loaded toggle latch
- 4 Special toggle latch
- 5 Adjustable toggle latch
- 6 Catch plate

- 9A-120
- 9A-160
- 9A-220 to 9A-240
- 9A-260, 9A-280
- 9A-320
- 9A-520 to 9A-660



來自德國的工藝深得信賴 **EMKA** Beschlagteile (Fittings)

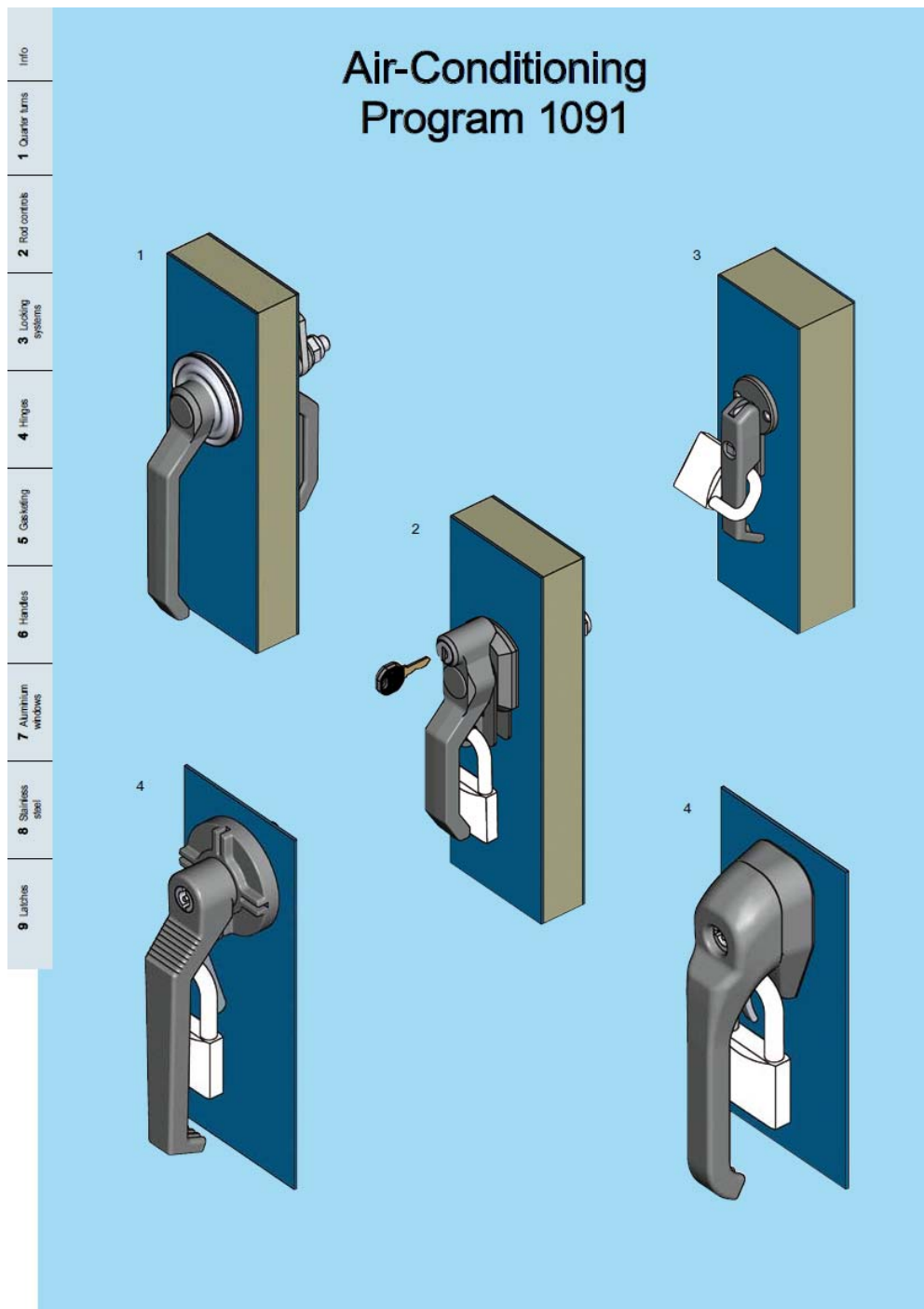
機櫃 箱櫃 五金扣件系列：箱扣 搭扣 鎖具 鉸鍊 氣密膠條 保護膠條

**EMKA Air-Conditioning Program 1091**

**1000 二段釋壓型**

[www.emka.com](http://www.emka.com) 原版目錄 (第 561 頁) 10A-100 到(第 582 頁) 10A-940

冷凍 空調用 強力型 鎖具 內開型



來自德國的工藝深得信賴 **EMKA Beschlagteile (Fittings)**

機櫃 箱櫃 五金扣件系列：箱扣 搭扣 鎖具 鉸鍊 氣密膠條 保護膠條

**EMKA ELM Electronic Locking Monitoring Systems**

**Program 3000 3500**

[www.emka.com](http://www.emka.com) 原版目錄 (第 583 頁) 11-100 到(第 584 頁)

指紋辨識 紅外射頻 密碼型 鎖具

**EMKA Electronics**  
**ELM Electronic Locking & Monitoring Systems**  
 Control technologies for secure access

<b>Fingerprint</b>	<b>RFID card</b>
<b>PIN-Code</b>	<b>Radio</b>
<b>GSM mobile communications</b>	<b>LAN</b>

11-100

**EMKA** Beschlagteile **EMKA Electronics** PROGRAM 3000, 3500

The ever-increasing requirements on a modern IT infrastructure demand a maximum of physical security. Following this trend EMKA offers, besides the established mechanical locking solutions, electromechanical handle systems with the matching hardware and software components for access control as well as the control, surveillance and analysis of security-relevant processes around the rack management.

Due to the comprehensive and constantly expanding solutions in this sales segment, EMKA has decided to create a separate catalogue for this product area. This gives EMKA the opportunity to have the printed matter updated promptly and to inform the customer about the new developments as quickly as possible.

The EMKA Electronics catalog includes the following chapter:

**EMKA Electronics**

- 11A..... ELM Security System: network solutions, 19" rack mount units, keypad, ELM combination handle with integrated keypad sensors, accessories
- 11B..... Stand-alone Solutions: keypad, combination handle with integrated keypad, accessories
- 11C..... Biometric access control systems

You can request the catalogue via the well-known sales channels in print or download a pdf file in the download area Electronics of the EMKA website under the following address:

[https://www.emka.com/de\\_en/electronics](https://www.emka.com/de_en/electronics)

© EMKA Beschlagteile GmbH & Co. KG 2016

來自德國的工藝深得信賴 **EMKA Beschlagteile (Fittings)**

機櫃 箱櫃 五金扣件系列：箱扣 搭扣 鎖具 鉸鍊 氣密膠條 保護膠條

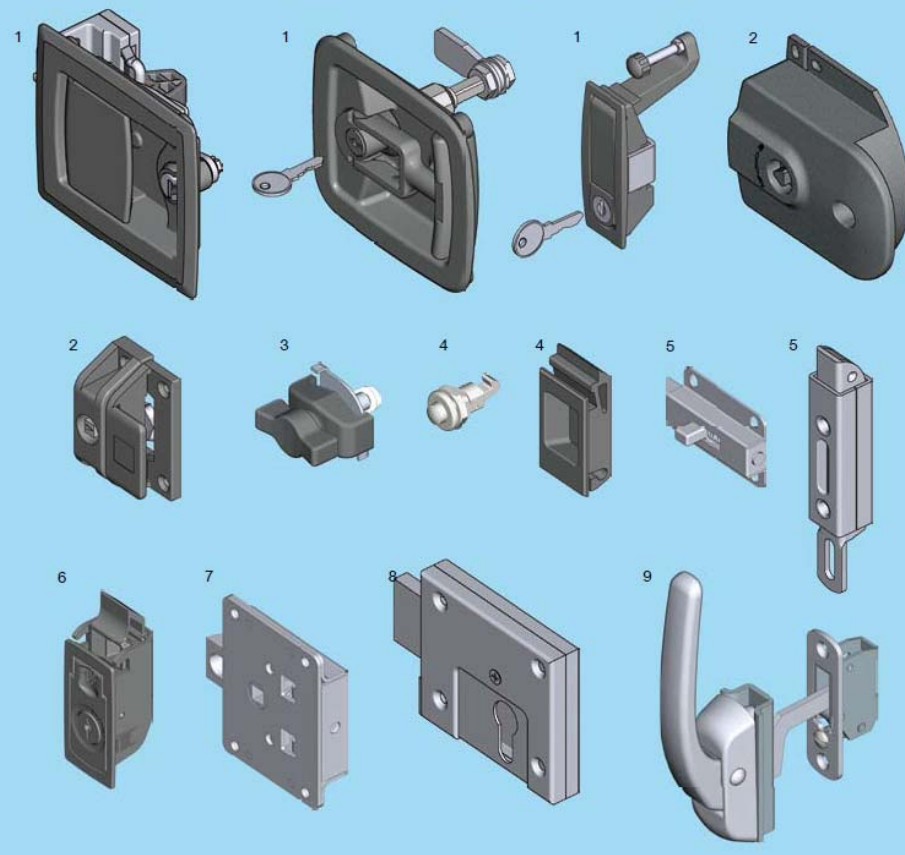
**EMKA Locks/Latches Lock, retractable handle, dead-bolt lock, slam-lock, snap lock, bridge clamp Program 1130 1000 1034 1085 1053 1091 1080 1076 2074**

[www.emka.com](http://www.emka.com) 原版目錄 (第 585 頁) 12A-100 到(第 602 頁) 12A-840

鎖/插銷鎖，可伸縮手柄，固定鎖，撞擊鎖，彈簧鎖，橋樑鉗 鎖具

## Locks/Latches

### Lock, retractable handle, dead-bolt lock, slam-lock, snap lock, bridge clamp



<ul style="list-style-type: none"> <li>1 Retractable handle</li> <li>2 Door lock</li> <li>3 Bridge clamp system</li> <li>4 Snap lock</li> <li>5 Slam-lock</li> <li>6 Side panel latch</li> <li>7 Slam-lock</li> <li>8 Dead-bolt lock</li> <li>9 Heavy duty latch</li> </ul>	<ul style="list-style-type: none"> <li>12A-120 to 12A-160</li> <li>12A-220 to 12A-240</li> <li>12A-620</li> <li>12A-240, 12A-420</li> <li>12A-320, 12A-340</li> <li>12A-440</li> <li>12A-320</li> <li>12A-520</li> <li>12A-820</li> </ul>
---	---

12A-100

Info
1 Quarter turns
2 Rod controls
3 Locking systems
4 Hinges
5 Gasketing
6 Handles
7 Aluminium windows
8 Stainless steel
9 Latches
10 Air-conditioning
11 EMKA Electronics
12 Miscellaneous

來自德國的工藝深得信賴 **EMKA Beschlagteile (Fittings)**

機櫃 箱櫃 五金扣件系列：箱扣 搭扣 鎖具 鉸鍊 氣密膠條 保護膠條

**EMKA Key Program 1004 1108**

**Cover stay and door stop 1050 1097 1070 1087**

**Accessories Escutcheon, panel mounting device, cable shunting ring, drawing pocket, window 1072 1018 1051 1071 1013 1250**

**Fixing material**

[www.emka.com](http://www.emka.com) 原版目錄 (第 603 頁) 12B-100 到(第 624 頁) 12E-160

鑰匙 門擋 緩衝器 配件 孔罩，面板安裝設備，電纜分流環，拉絲口袋，窗口  
扣環 2D 螺帽 防鬆螺絲

